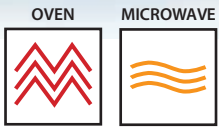




Cardboard Cakes

# Cakes

The ICA cakes are suitable for cooking in traditional oven and in the microwave. Made of non-stick material, they allow to cook without buttering.



Paper Cakes

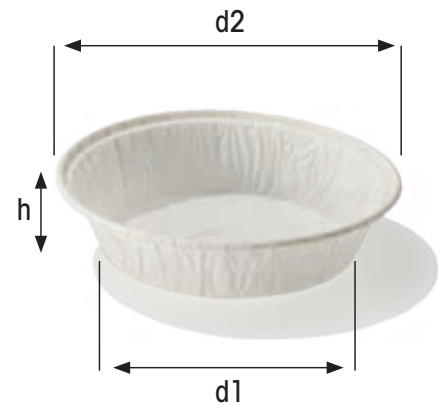
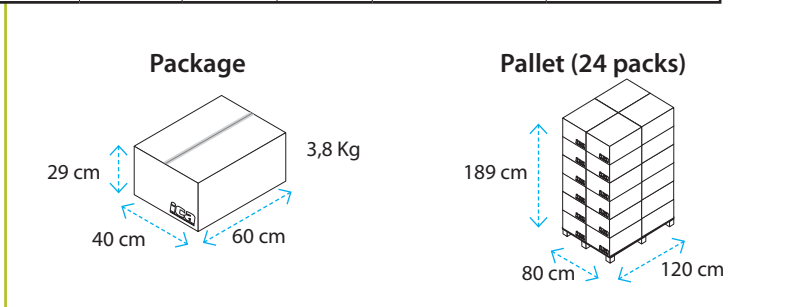




## Paper - Pastry shop package

Code	d1 mm	d2 mm	h mm	Packages per box	Price €/package
<b>MUBI66SA</b>	66	90	20	3.240	150,33

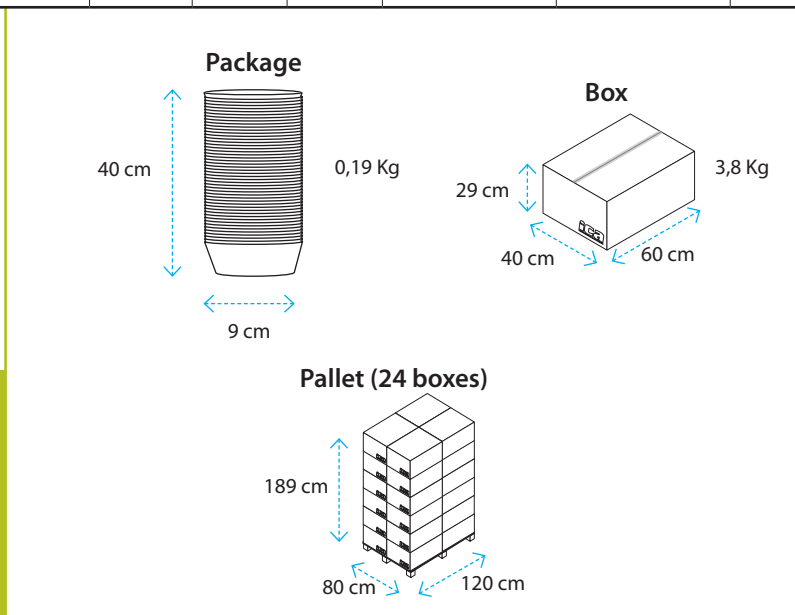
White monosiliconated paper 75g/m<sup>2</sup>



## Paper - Cash&Carry package

Code	d1 mm	d2 mm	h mm	Packages per box	Pieces per package	Price €/package
<b>MU66SBIC</b>	66	90	20	18	180	9,73

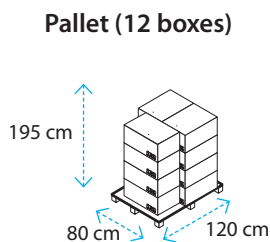
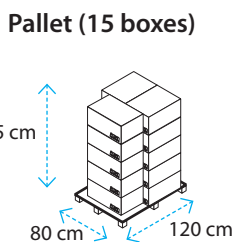
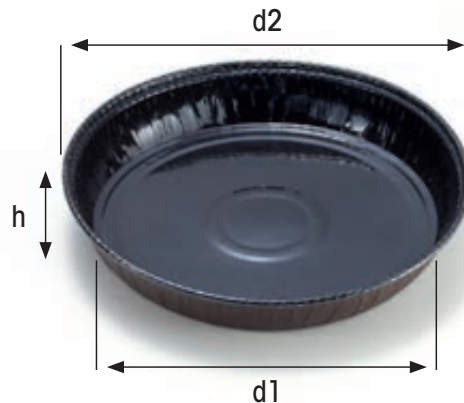
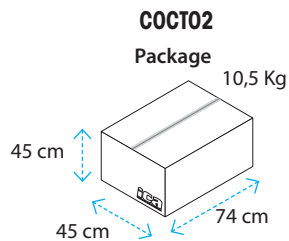
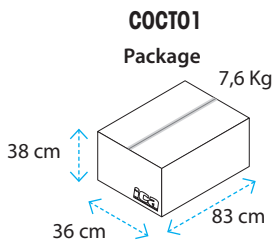
White monosiliconated paper 75g/m<sup>2</sup>



## Cardboard - Pastry shop package

Code	d1 mm	d2 mm	h mm	Pieces per package	Price €/Package
<b>COCT01</b>	145	170	25	1.000	118,22
<b>COCT02</b>	198	223	30	800	141,54

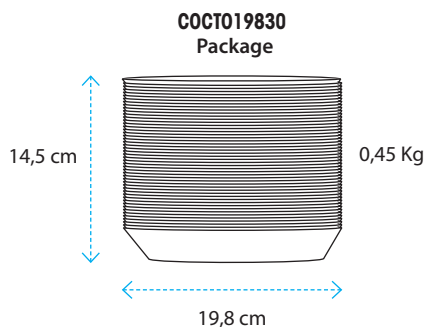
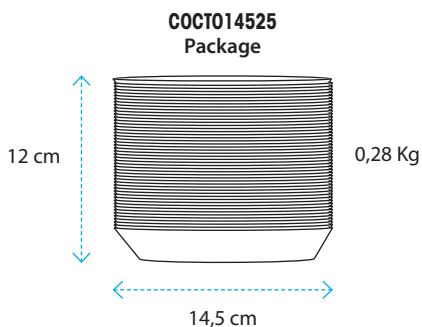
Cardboard 190 g/m<sup>2</sup> laminated with PET



## Cardboard - Cash&Carry package

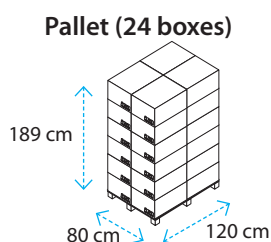
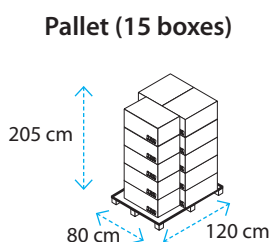
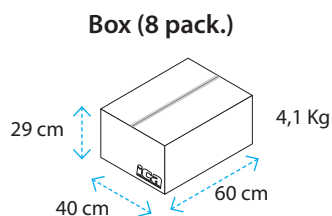
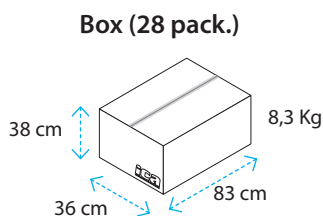
Code	d1 mm	d2 mm	h mm	Pieces per package	Packages per box	Price €/package
<b>COCT014525C</b>	145	170	25	35	28	5,53
<b>COCT019830C</b>	198	223	30	35	8	9,68

Cardboard 190 g/m<sup>2</sup> laminated with PET



### Packages

The cakes are available in two different packages: Cash&carry Package in transparent plastic film and Pastry Shop Package in cardboard boxes.



# Cakes